

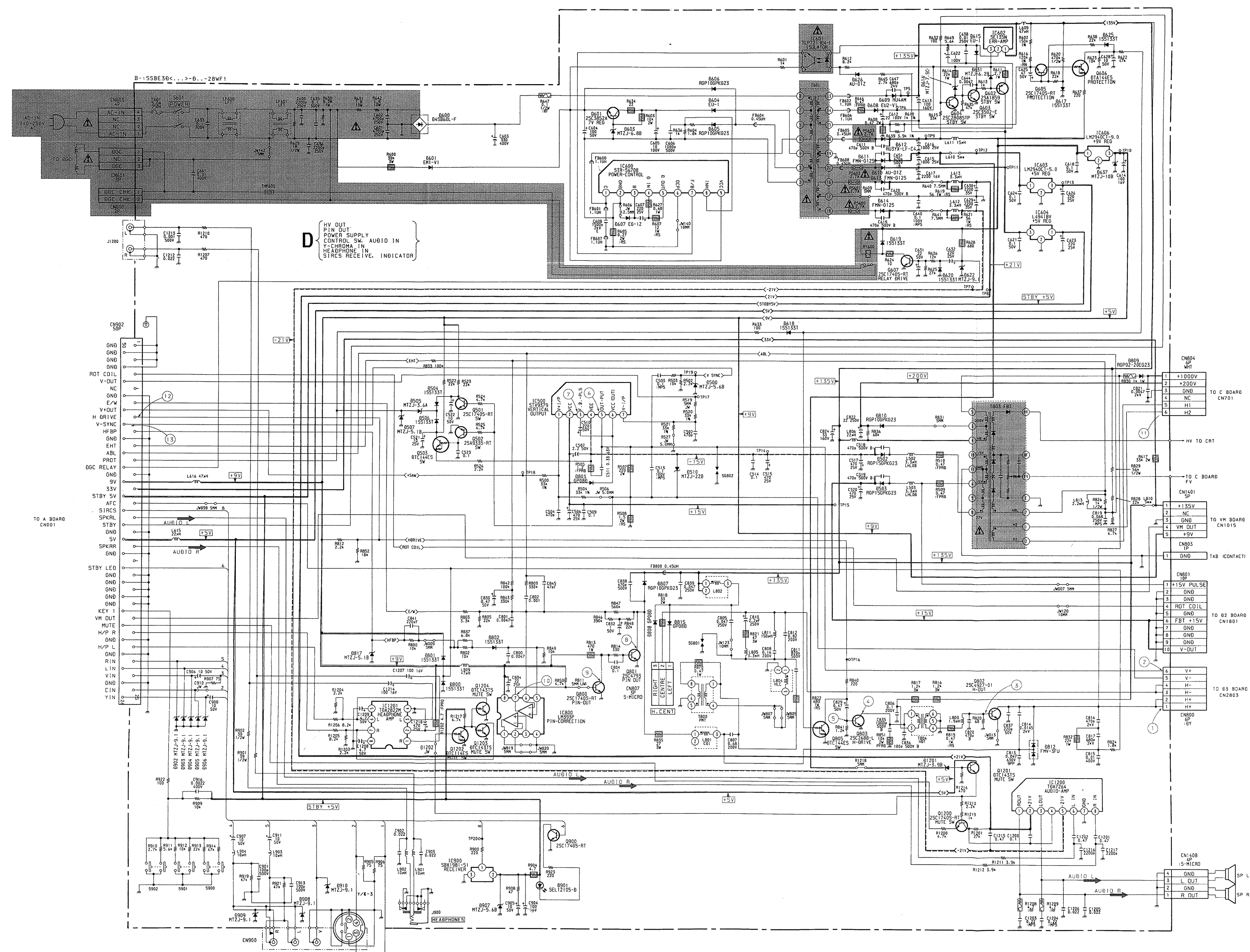
SERVICE MANUAL

BE-3D CHASSIS

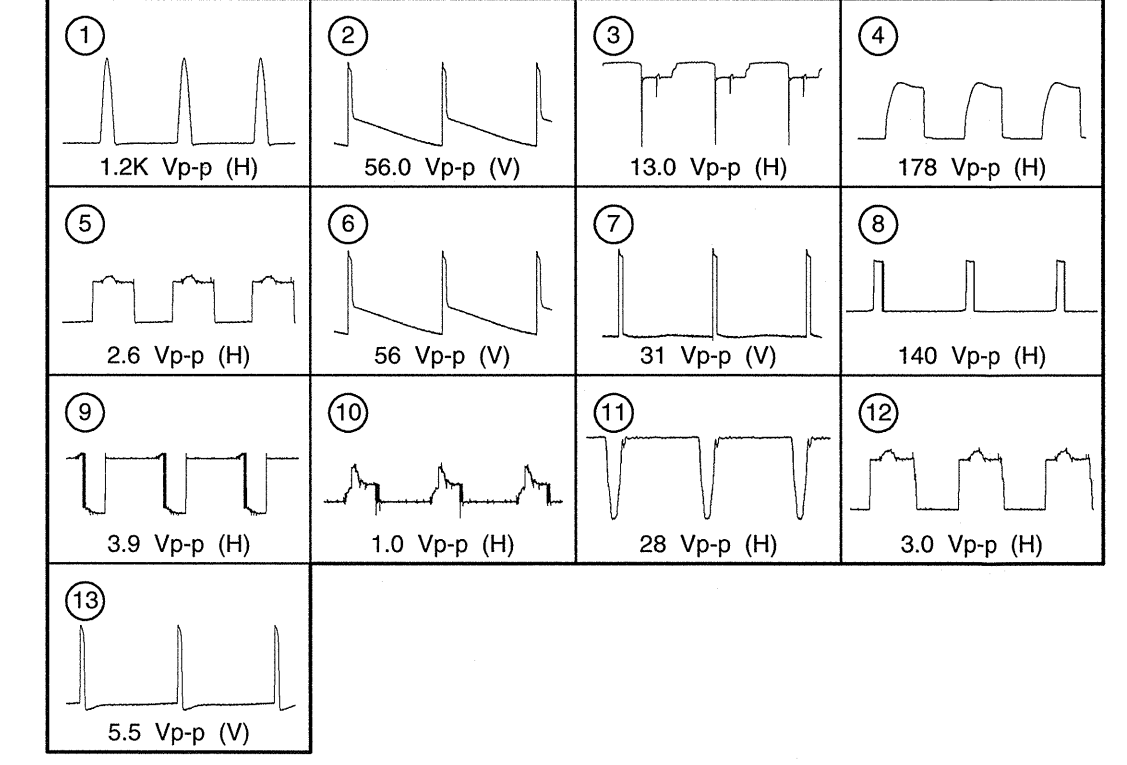
MODEL	COMMANDER	DEST.	CHASSIS NO.	MODEL	COMMANDER	DEST.	CHASSIS NO.
<i>KV-28WF1A</i>	<i>RM-839</i>	<i>Italian</i>	<i>SCC-K05Q-A</i>	<i>KV-28WF1K</i>	<i>RM-839</i>	<i>OIRT</i>	<i>SCC-K20H-A</i>
<i>KV-28WF1B</i>	<i>RM-839</i>	<i>French</i>	<i>SCC-K01S-A</i>	<i>KV-28WF1R</i>	<i>RM-839</i>	<i>OIRT</i>	<i>SCC-K20G-A</i>
<i>KV-28WF1D</i>	<i>RM-839</i>	<i>AEP</i>	<i>SCC-K07T-A</i>	<i>KV-28WF1U</i>	<i>RM-839</i>	<i>UK</i>	<i>SCC-K04N-A</i>
<i>KV-28WF1E</i>	<i>RM-839</i>	<i>Spanish</i>	<i>SCC-K06S-A</i>				



TRINITRON® COLOR TV
SONY®

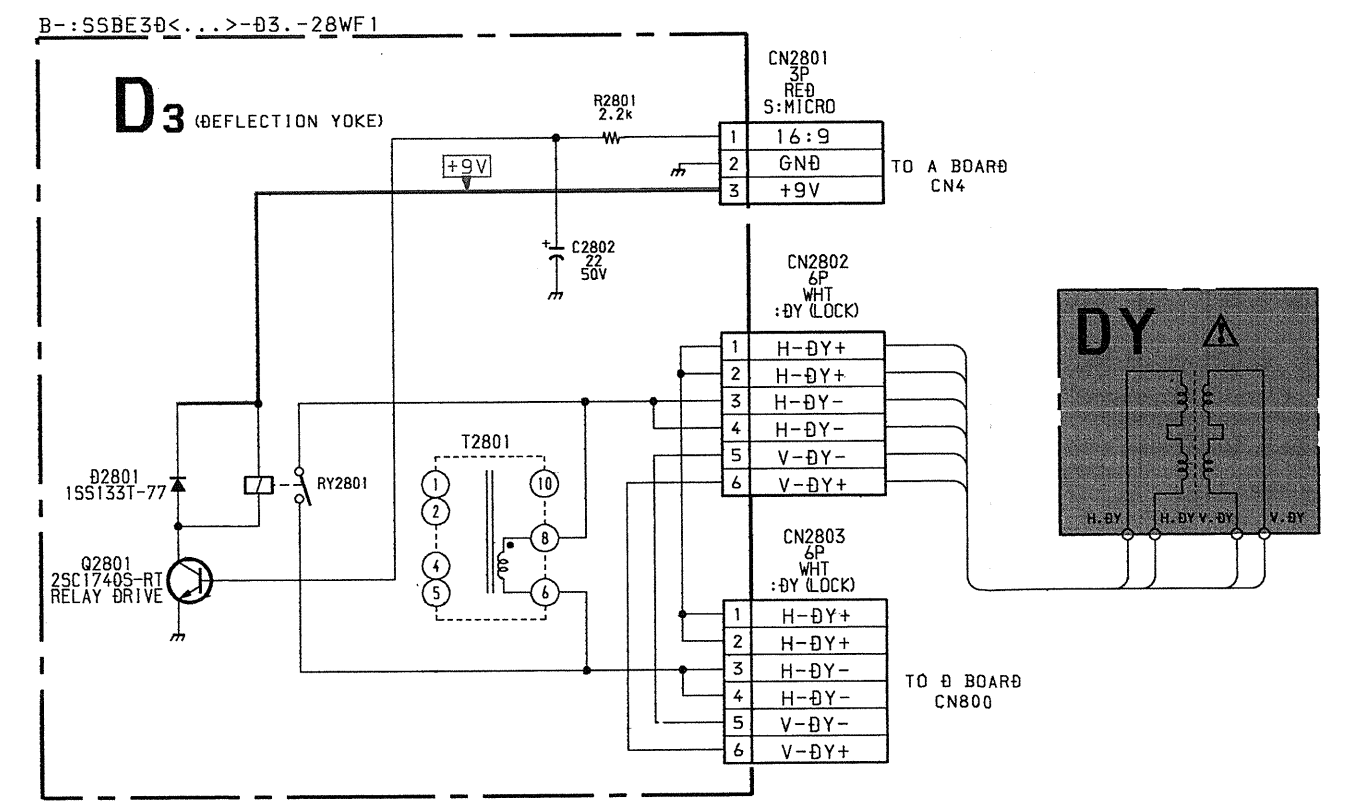


WAVEFORMS D BOARD

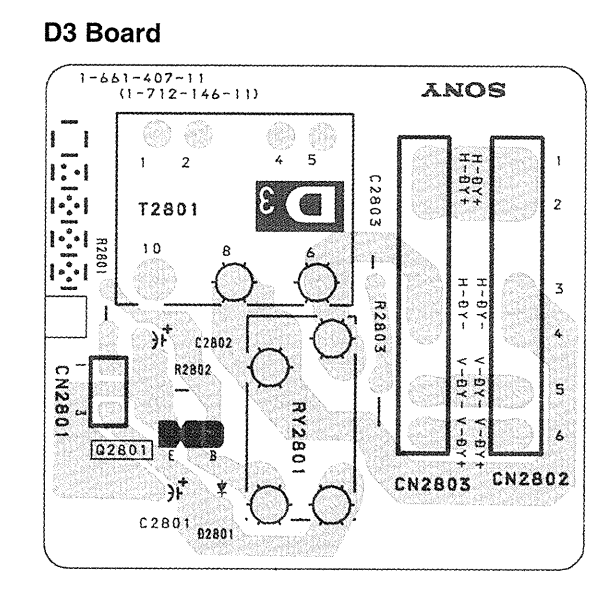


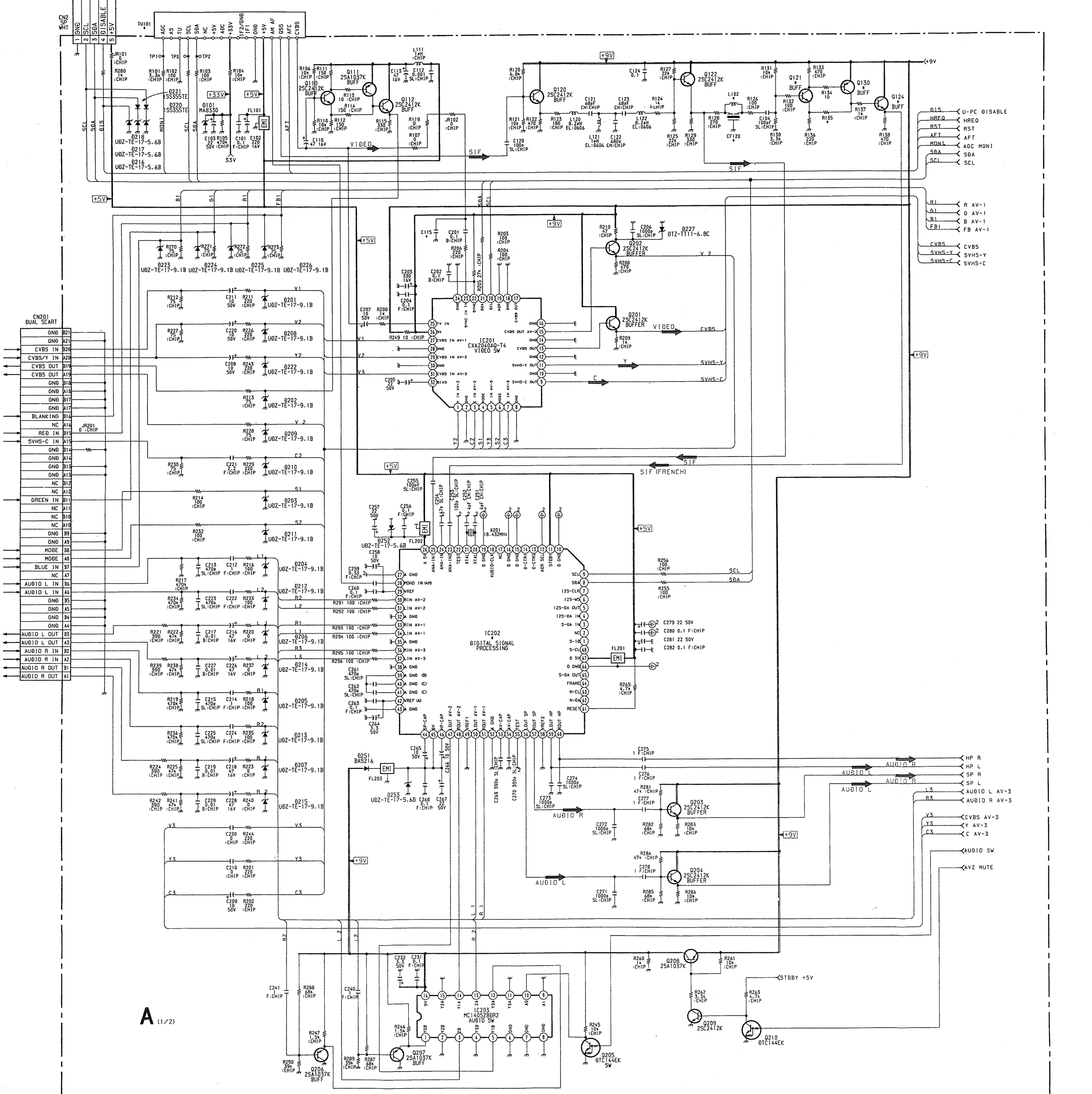
D BOARD TRANSISTOR VOLTAGE TABLE

Ref No	B	C	E
Q501	-0.1	0.2	-
Q502	0.1	-5.8	-
Q503	-5.8	-12.0	-12.0
Q603	0	72.0	-
Q604	0.7	-	-
Q605	0.5	-	0.3
Q606	-	-	12.0
Q607	-	-	12.0
Q800	0.2	3.1	-
Q801	0.3	17.0	-
Q802	-0.2	143.3	-
Q803	-0.6	99.8	-
Q805	-	3.6	-
Q900	-	5.4	-
Q1200	2.9	21.5	4.6
Q1201	3.4	5.0	3.0
Q1202	2.8	-	-



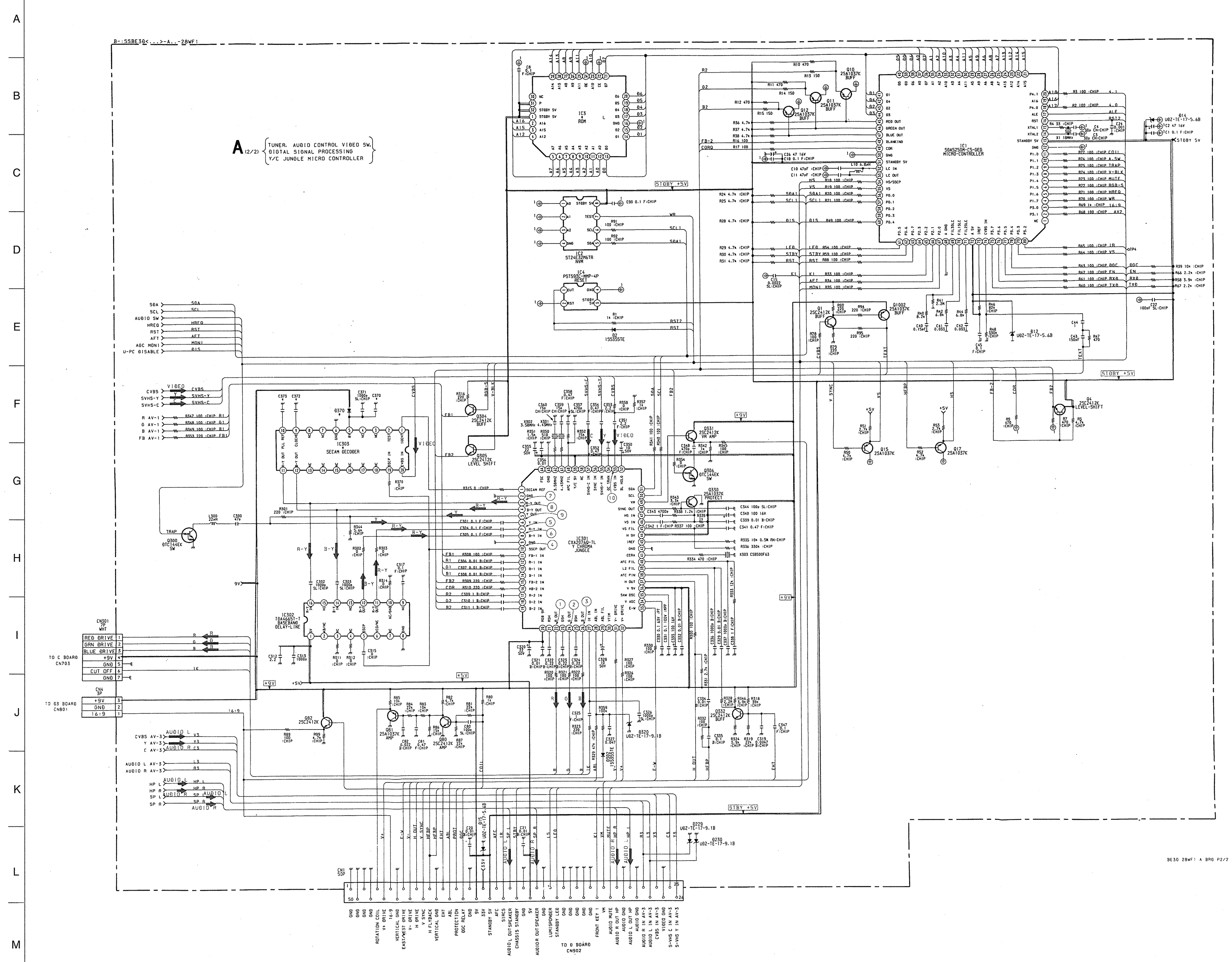
D3 [DEFLECTION YOKE]





A BOARD MARK

Ref No	Value	28WF1A	28WF1B	28WF1D	28WF1E	28WF1K	28WF1R	28WF1U
C115	—	330PF	—	—	—	—	—	—
C370	—	2.2UF	2.2UF	2.2UF	2.2UF	2.2UF	2.2UF	—
C372	—	0.1UF	0.1UF	0.1UF	0.1UF	0.1UF	0.1UF	—
C373	—	0.22UF	0.22UF	0.22UF	0.22UF	0.22UF	0.22UF	—
CF120	TRAP 6.5MHz	TRAP 6.5MHz	TRAP 6.5MHz	TRAP 6.5MHz	—	—	—	—
D370	—	BA5216	BA5216	BA5216	BA5216	—	—	—
IC3	TMS27P020A-12PAL	TMS27P020A-12PAL	TMS27P020A-12PAL	TMS27P020A-12PAL	TMS27P020A-12PAL	TMS27P020A-12PAL	TMS27P020A-12PAL	TMS27P020A-12PAL
IC202	MSP3400C-PS-C6-T	MSP3400C-PS-F7-T	MSP3400C-PS-C6-T	MSP3400C-PS-F7-T	MSP3400C-PS-C6-T	MSP3400C-PS-C6-T	MSP3400C-PS-C6-T	MSP3400C-PS-F7-T
IC203	—	TD4899TND	TD4899TND	TD4899TND	TD4899TND	TD4899TND	TD4899TND	TD4899TND
L102	5.6KH	5.6KH	5.6KH	5.6KH	—	—	—	—
Q121	2SC2142K-T-146-R	2SC2142K-T-146-R	2SC2142K-T-146-R	2SC2142K-T-146-R	2SC2142K-T-146-R	2SC2142K-T-146-R	2SC2142K-T-146-R	2SC2142K-T-146-R
Q124	2SC2142K-T-146-R	2SC2142K-T-146-R	2SC2142K-T-146-R	2SC2142K-T-146-R	2SC2142K-T-146-R	2SC2142K-T-146-R	2SC2142K-T-146-R	2SC2142K-T-146-R
Q130	2SA1037K-T-146-R	2SA1037K-T-146-R	2SA1037K-T-146-R	2SA1037K-T-146-R	2SA1037K-T-146-R	2SA1037K-T-146-R	2SA1037K-T-146-R	2SA1037K-T-146-R
R135	330	330	330	330	680	680	680	680
TU101	TUVF (AEP)	TUVF (F8)	TUVF (AEP)	TUVF (AEP)	TUVF (AEP)	TUVF (AEP)	TUVF (AEP)	TUVF (AEP)



A (1/2) BOARD MARK

Ref No	Value	28WF1A	28WF1B	28WF1D	28WF1E	28WF1K	28WF1R	28WF1U
C115	—	330PF	—	—	—	—	—	—
C370	—	2.2UF	2.2UF	2.2UF	2.2UF	2.2UF	2.2UF	—
C372	—	0.1UF	0.1UF	0.1UF	0.1UF	0.1UF	0.1UF	—
C373	—	0.22UF	0.22UF	0.22UF	0.22UF	0.22UF	0.22UF	—
CF120	TRAP 6.5MHz	TRAP 6.5MHz	TRAP 6.5MHz	TRAP 6.5MHz	—	—	—	—
D370	—	BA5216	BA5216	BA5216	BA5216	—	—	—
IC3	TMS27P020A-12PAL	TMS27P020A-12PAL	TMS27P020A-12PAL	TMS27P020A-12PAL	TMS27P020A-12PAL	TMS27P020A-12PAL	TMS27P020A-12PAL	TMS27P020A-12PAL
IC202	MSP3400C-PS-C6-T	MSP3400C-PS-F7-T	MSP3400C-PS-C6-T	MSP3400C-PS-F7-T	MSP3400C-PS-C6-T	MSP3400C-PS-C6-T	MSP3400C-PS-C6-T	MSP3400C-PS-F7-T
IC203	—	TD4899TND	TD4899TND	TD4899TND	TD4899TND	TD4899TND	TD4899TND	TD4899TND
L102	5.6KH	5.6KH	5.6KH	5.6KH	—	—	—	—
Q121	2SC2142K-T-146-R	2SC2142K-T-146-R	2SC2142K-T-146-R	2SC2142K-T-146-R	2SC2142K-T-146-R	2SC2142K-T-146-R	2SC2142K-T-146-R	2SC2142K-T-146-R
Q124	2SC2142K-T-146-R	2SC2142K-T-146-R	2SC2142K-T-146-R	2SC2142K-T-146-R	2SC2142K-T-146-R	2SC2142K-T-146-R	2SC2142K-T-146-R	2SC2142K-T-146-R
Q130	2SA1037K-T-146-R	2SA1037K-T-146-R	2SA1037K-T-146-R	2SA1037K-T-146-R	2SA1037K-T-146-R	2SA1037K-T-146-R	2SA1037K-T-146-R	2SA1037K-T-146-R
R135	330	330	330	330	680	680	680	680
TU101	TUVF (AEP)	TUVF (F8)	TUVF (AEP)	TUVF (AEP)	TUVF (AEP)	TUVF (AEP)	TUVF (AEP)	TUVF (AEP)

A (1/2) BOARD IC VOLTAGE TABLE

Ref No	Pin No	Voltage (V)
IC201	13	4.4
	15	4.4
	20	3.5
	21	2.7
	22	4.9
	23	4.4
	24	0
	25	4.4
	26	8.8
	32	4.4
IC202	4	2.8
	6,7	0.1
	8	3.0
	9	3.6
	11	4.7
	13	4.7
	20-21	2.4
	23	0.2
	25	1.5
	26	4.8
IC203	1	4.7
	3	3.8
	5	3.8
	10	9.0
	12	4.7
	13	3.8
	14	3.8

A (2/2) BOARD TRANSISTOR VOLTAGE TABLE

Ref No	B	C	E
Q1	3.7	4.8	3.1
Q4	0.1	4.8	-
Q15	-	4.3	-
Q30	2.6	2.2	-
Q31	2.4	3.0	-
Q300	-	0.2	-
Q304	-	4.8	-
Q305	-	4.8	-
Q306	-	0.1	-
Q330	4.5	-	5.1
Q331	6.3	8.8	5.7
Q332	3.1	8.8	2.5
Q1001	4.4	-	-

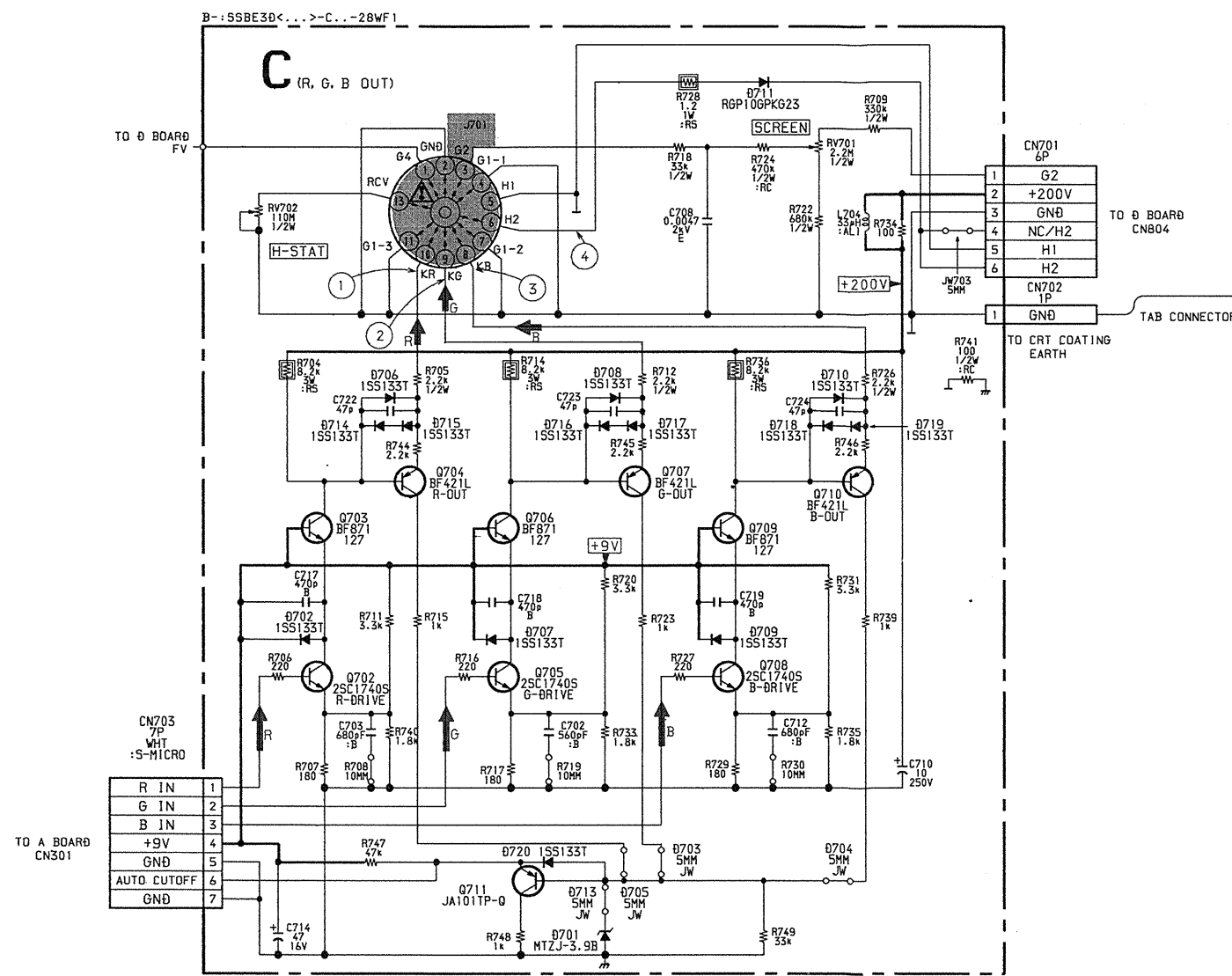
A (1/2) BOARD TRANSISTOR VOLTAGE TABLE

Ref No	B	C	E
Q110	1.8	8.2	1.2
Q112	1.5	8.8	0.8
Q113	1.8	-	-
Q114	5.1	6.0	-
Q120	9.0	8.8	3.7
Q121	1.5	5.4	0.9
Q122	5.4	8.8	4.7
Q124	-	8.8	-
Q130	8.2	5.3	-
Q201	4.4	8.8	3.7
Q202	4.4	8.8	3.7
Q205	-	8.9	-
Q206	4.1	-	4.7
Q207	4.1	-	4.7

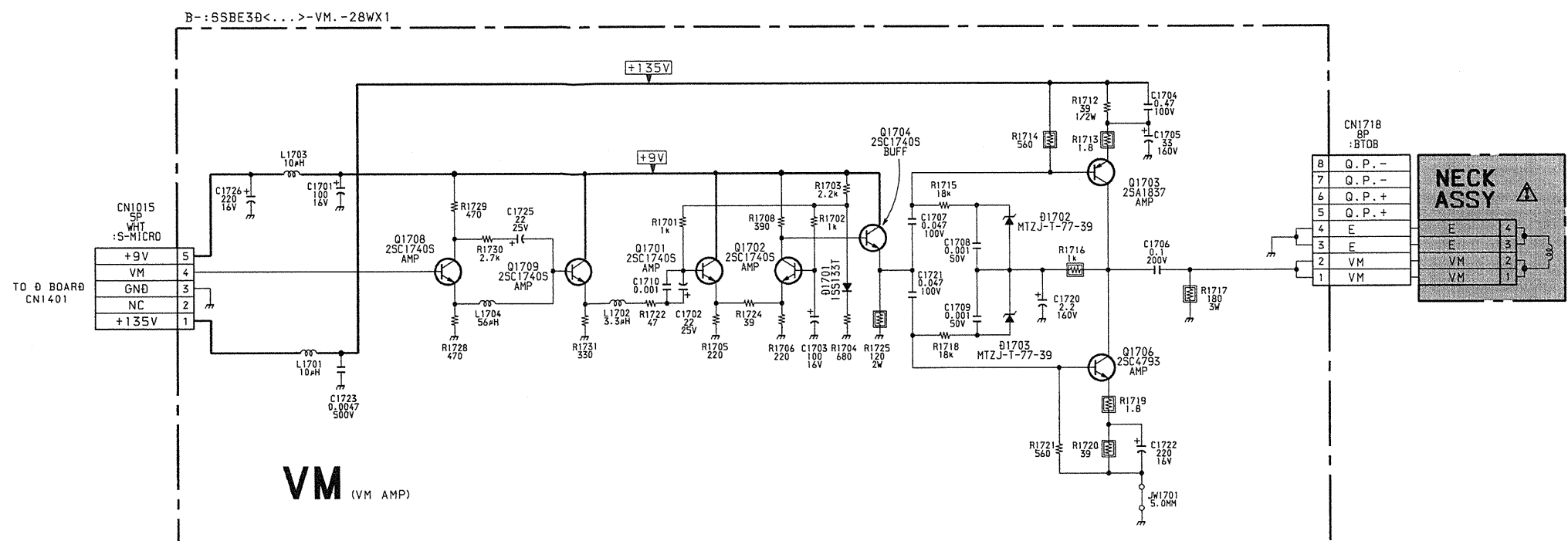
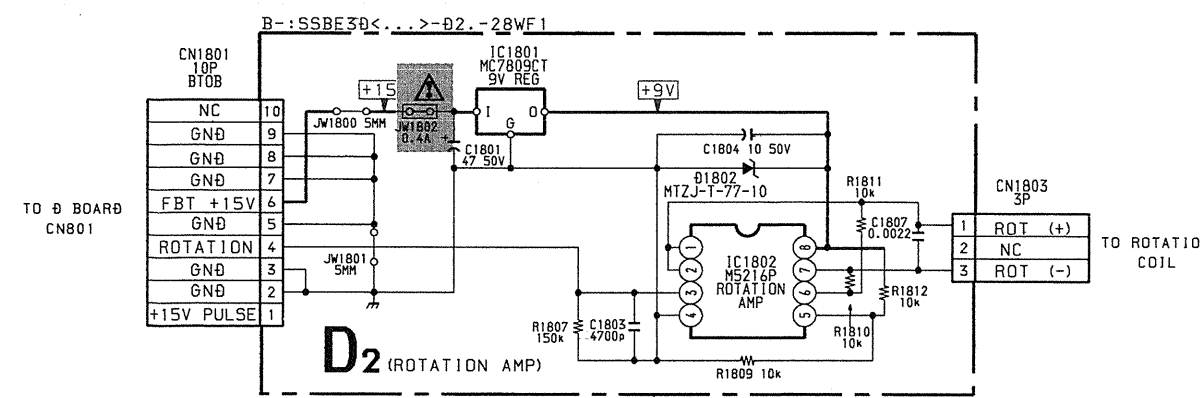
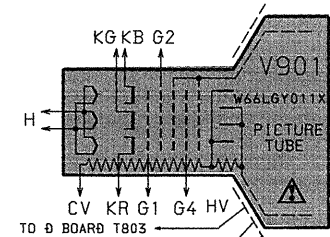
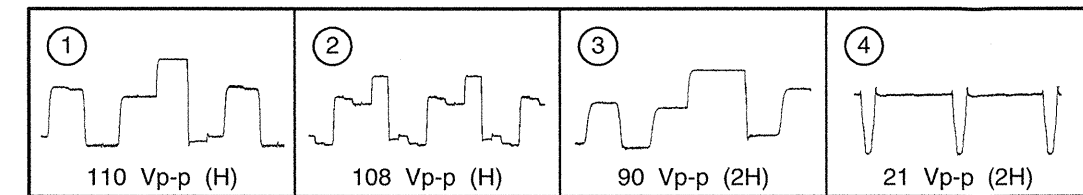
C [R, G, B OUT]

VM [VM AMP]

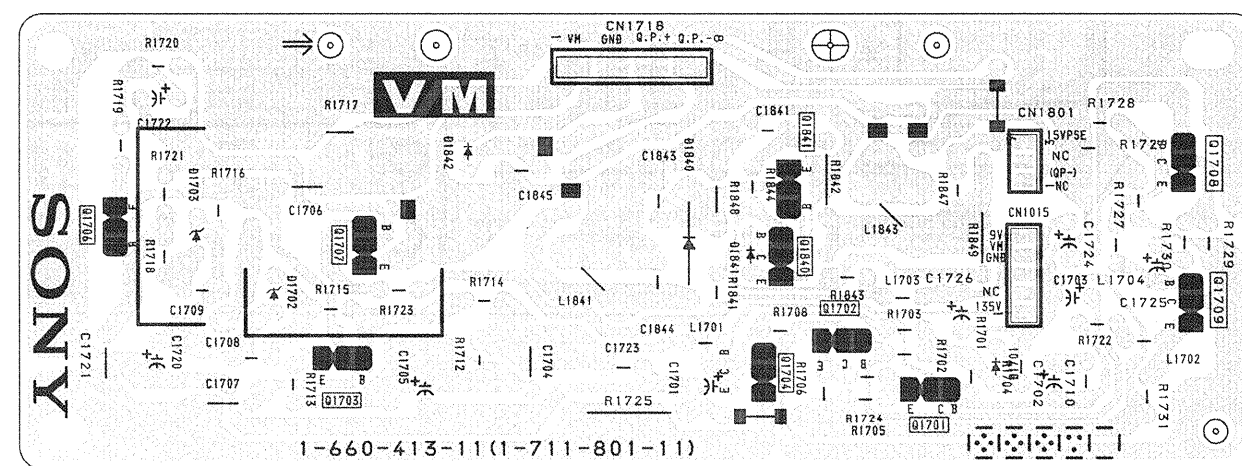
D2 [ROTATION AMP]



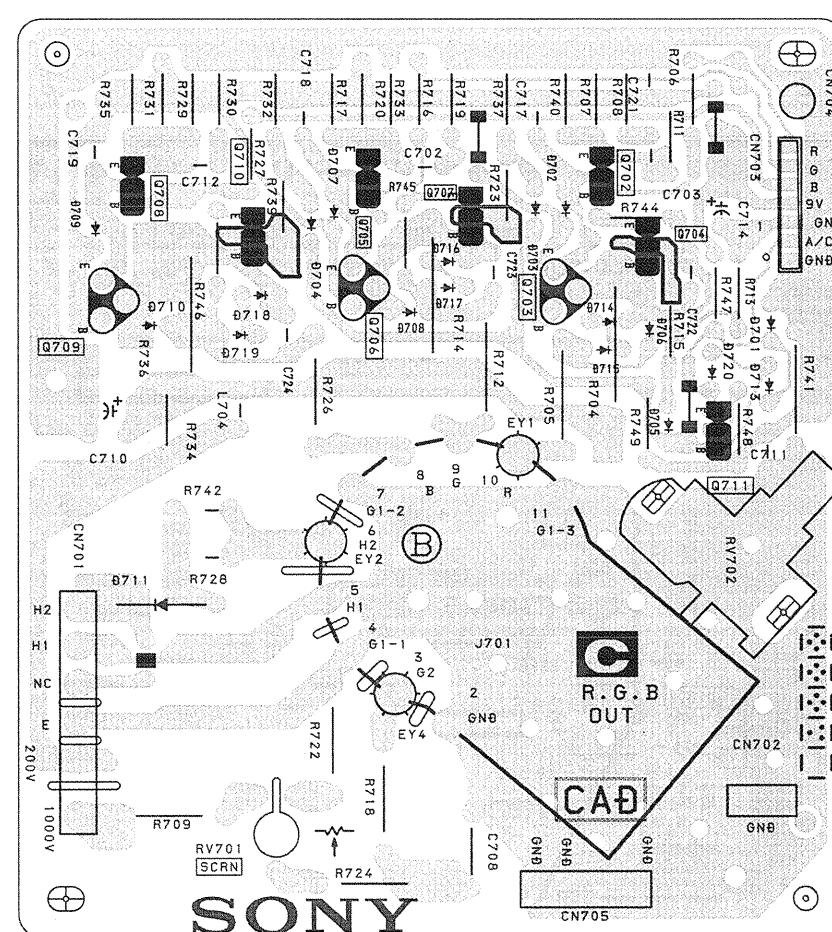
WAVEFORMS C BOARD



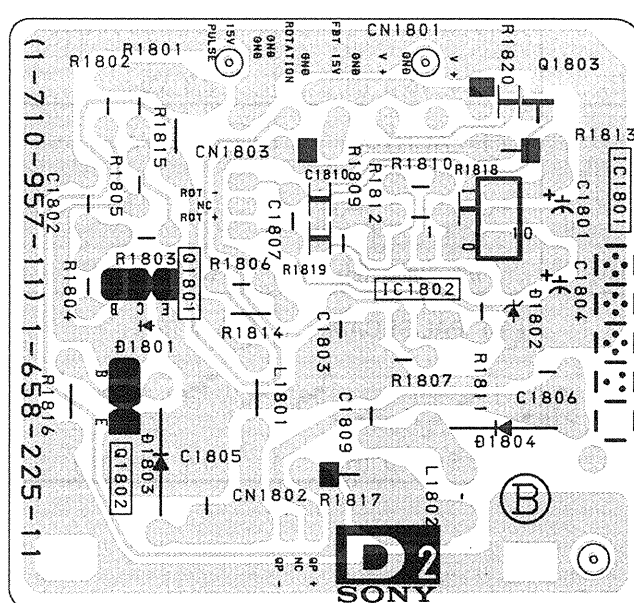
VM Board



C Board



D2 Board



C BOARD TRANSISTOR VOLTAGE TABLE

Transistor Voltage Table				
Ref No	B Base	C Collector	E Emitter	
Q702	2.0	11.4	1.4	
Q703	12.0	168.3	11.4	
Q704	168.3	6.0	163.5	
Q705	1.7	11.4	1.2	
Q706	12.0	178.8	11.4	
Q707	178.2	6.2	173.8	
Q708	2.0	11.4	1.4	
Q709	12.0	168.3	11.4	
Q710	168.0	6.4	160.0	

VM BOARD TRANSISTOR VOLTAGE TABLE

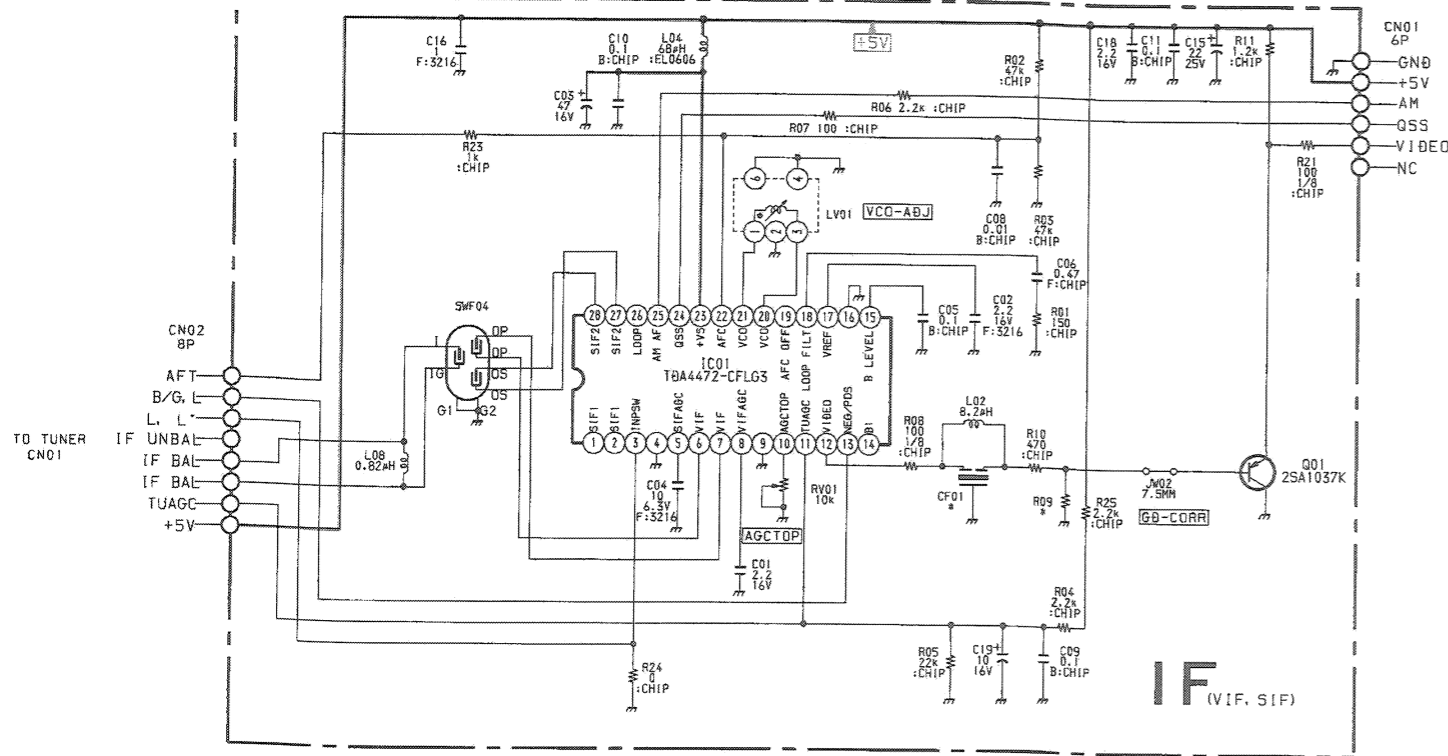
Transistor Voltage Table				
Ref No	B Base	C Collector	E Emitter	
Q1701	2.5	8.8	1.8	
Q1702	2.5	5.5	1.8	
Q1703	134.3	71.8	134.8	
Q1704	5.5	8.8	4.8	
Q1706	1.0	71.8	0.4	
Q1708	2.9	6.6	2.2	
Q1709	2.2	8.8	1.5	

D2 BOARD IC VOLTAGE TABLE

IC Voltage Table			
Ref No	Pin No	Voltage (V)	
IC1802	1-2	2.8	
	3	3.0	
	5-6	4.4	
	7	6.2	
	8	9.0	

TUVIF (AEP) (KV-28WF1A, 28WF1D, 28WF1E, and 28WF1K, 28WF1R ONLY)
TUVIF (UK) (KV-28WF1U ONLY)

B-#TVF-01<UK/AEP>-IF.

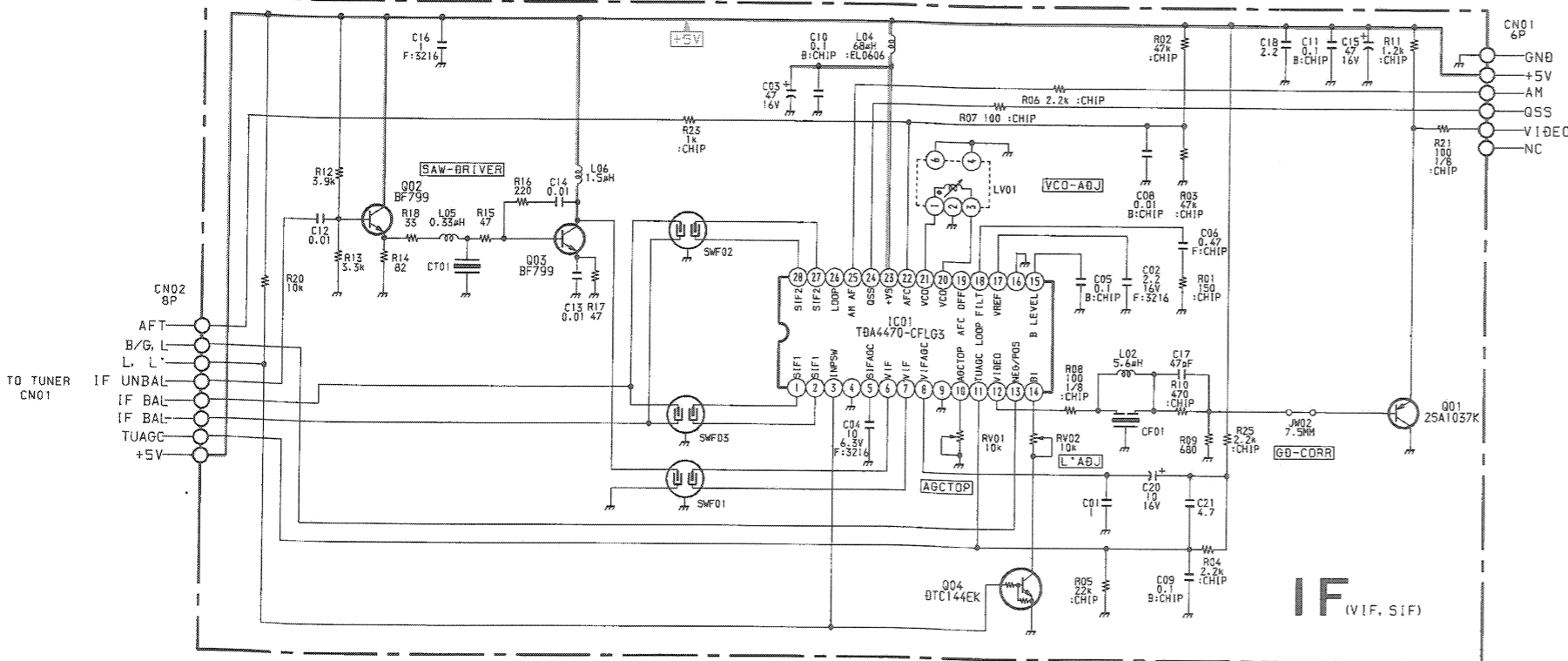


IF Board

Ref. No	Model	28WF1A	28WF1D	28WF1E	28WF1K	28WF1R	28WF1U
CF01		5.5MHz	5.5MHz	5.5MHz	5.5MHz	5.5MHz	6.0MHz
R09		680MF	680MF	680MF	680MF	680MF	1K

TUVIF (FR) (KV-28WF1B ONLY)

B-#TVF-01<FR.>-IF.



IF Board

